

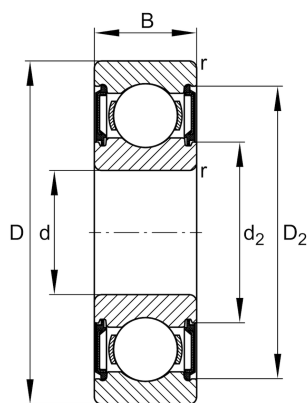
FAG

6001-C-2BRS

Deep groove ball bearing

Schaeffler ID:
0595135270000Deep groove ball bearing 60..-C-2BRS,
single row, Generation C, shields, steel
sheet metal cage

Technical information



Main Dimensions & Performance Data

d	12 mm	Bore diameter
D	28 mm	Outside diameter
B	8 mm	Width
C_r	5.900 N	Basic dynamic load rating, radial
C_{0r}	2.370 N	Basic static load rating, radial
C_{ur}	164 N	Fatigue load limit, radial
n_G	36.000 1/min	Limiting speed
n_{gr}	26.000 1/min	Reference speed
	0,021 kg	Weight

Dimensions

r_{min}	0,3 mm	Minimum chamfer dimension
D_2	25,1 mm	Caliber diameter outer ring
d_2	15,7 mm	Caliber diameter inner ring

Mounting dimensions

$d_{a min}$	14 mm	Minimum diameter shaft shoulder
$D_{a max}$	26 mm	Maximum diameter of housing shoulder
$r_{a max}$	0,3 mm	Maximum fillet radius

Calculation factors

f_0	13,1	Calculation factor
-------	------	--------------------

Temperature range

T_{min}	-20 °C	Operating temperature min.
T_{max}	110 °C	Operating temperature max.

